

Silhouette/Series M and C

Manually Operated Projection Screens by Draper

Caution

- ① Read instructions through completely before proceeding; keep them for future reference. Follow instructions carefully. Installation contrary to instructions invalidates warranty. Care in both mounting and correct operation will assure long and satisfactory service from your Draper screen.
- ② Screen should be accessible for complete removal should fabric become damaged or for service if required.
- ③ Screen should be installed level (using a carpenter's level).
- ④ Nothing should be fastened to screen dowel or viewing surface.
- ⑤ Operating crank for Series C is packed separately in screen carton. Do not discard with packing material.

Note: Screen has been thoroughly inspected and tested at factory and found to be operating properly prior to shipment.

Installation

Your Draper screen can be mounted on a wall or suspended from the ceiling, or mounted on special 6" extension bracket. *Extension brackets must be ordered separately from Draper.* With each method of installation, the case must be mounted level and with the flat back parallel to the wall.

To reduce the risk of personal injury, use only the hardware which comes with the screen or is specified in these instructions.

The screen (or extension brackets) should be mounted into studs or blocking in the wall/ceiling, or in drywall (minimum thickness 1/2") with specified anchors. For any other type of installation, follow all local building and safety codes.

Steel studs, concrete or cinder block walls and all other types of non-wood frame construction require the use of special screws or anchors. The selection of appropriate mounting hardware should be made by a qualified professional installer.

When locating viewing surface and checking clearance for screen's operation, remember surface is centered in case. Handle case carefully to avoid scratching. Regardless of mounting method, screen should be positively and securely supported so that vibration or even abusive pulling on the viewing surface will not cause case to work loose or fall. Installer must insure that fasteners used are of adequate strength and suitable for the mounting surface.

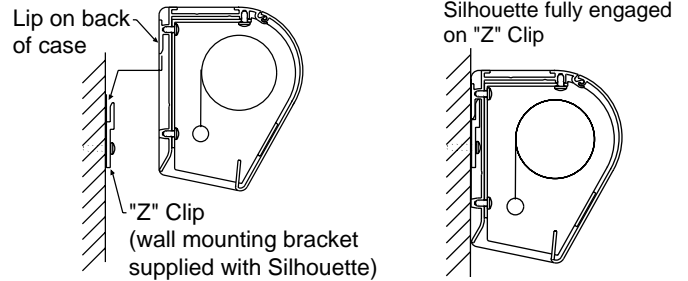
Wall Mounting

Mount 2, 3, or 4 aluminum brackets provided ("Z" Clips) on the wall at desired height, using appropriate fasteners. Verify that they are in line and level to fully engage with the mounting lip on back of screen case. 1 5/8" of free space is required above the "Z" Clips to allow case lip to be engaged over the lip of the "Z" Clips.

Engage the lip on back of screen case with lip of "Z" Clip and gently pull down to fully engage case to brackets.

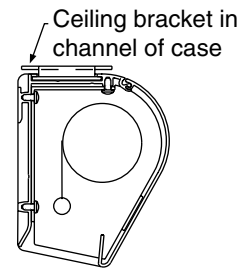
Ceiling/Suspended Mounting

Locate 2 offset ceiling brackets (supplied) and slide these into the channel on top of screen case by angling one side of bracket under lip of channel

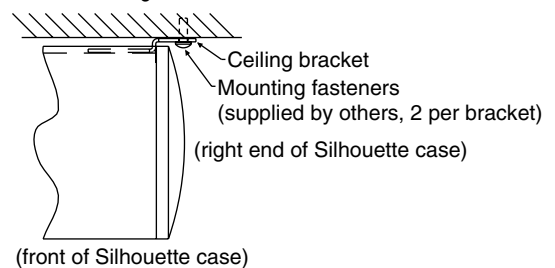


and opposite side of bracket above notch in opposite channel lip.

Allow bracket to drop against bottom of channel and then slide it along case until it stops against endcap of case. Tighten 2 set screws to lock bracket in place. Make sure that the flange of the ceiling bracket that has 4 holes is extended beyond the endcaps of the case. Repeat above procedure for second ceiling bracket, making sure to slide it towards opposite end of case.



To mount against ceiling, hold screen case against ceiling and mark mounting hole locations. Each bracket has 2 holes towards the front edge and 2 holes towards the back edge. Installer must use at least 2 fasteners per bracket with one fastener in one of the two holes closest to back edge of bracket, and one fastener in one of the two holes closest to front edge of bracket. Installer must insure that fasteners are of adequate strength and suitable for the mounting surface chosen.



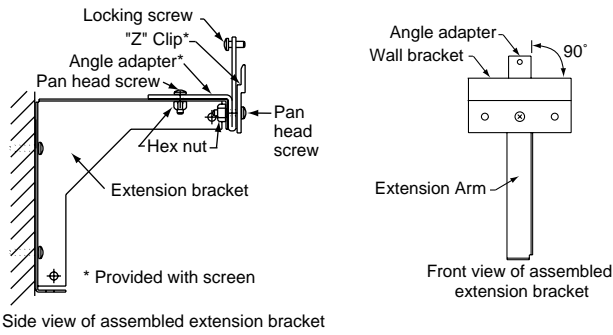
To mount suspended from ceiling, the brackets need to be installed on screen case as noted above. Attach "S" Hooks (supplied) through the holes in the brackets. Select the set of holes that allows the screen to hang in a vertical position. The installer is to provide the materials and fasteners to attach the "S" Hooks to the ceiling. Installer must insure that the fasteners and suspension material are of adequate strength and suitable for the mounting surface chosen.

Mounting on 6" extension wall brackets: Brackets are not supplied with screen and must be ordered separately.

Attach right angle adapter to top of extension bracket as shown using (1) pan head screw and (1) locking nut. Attach (1) "Z" Clip wall mounting bracket (supplied with screen) to front of extension bracket as shown using

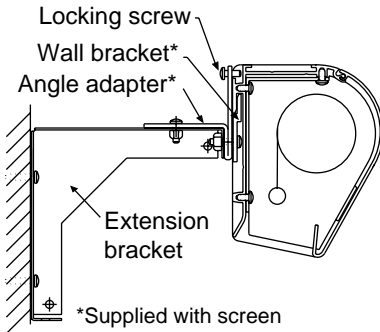


(1) pan head screw and (1) locking nut. (Make sure "Z" Clip is oriented 90° to angle adapter.)



Wall mount the extension brackets to wall, making sure they are level and vertically plumb. Installer must insure fasteners are of adequate strength and suitable for chosen mounting surface. Back out the top stop screw until it is flush with front side of angle adapter.

Engage the lip on back of screen case with lip of "Z" Clip and gently pull down to fully engage case to brackets. Screw in stop screw on each bracket to lock screen case in place.



Operating Instructions

Series M Spring Operated Screen: To lower picture surface, pull screen down to desired position. *Hesitate*—then allow screen to slightly retract *very slowly* until it locks in place.

To raise picture surface, pull down on the pull bail, then raise quickly, as a window shade. Keep control of the picture surface. Do not allow it to roll uncontrolled into the case, or damage is sure to result.

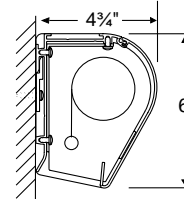
Series C Crank Operated Screen: To lower screen surface, attach the crank handle to the "U" joint stud located on the left hand side of the screen. With the crank handle in its operating position, rotate counterclockwise. An internal pin within the gear box will stop the screen when fully extended. The crank handle can be removed if desired. The shipping support brackets must be removed from each end of dowel during initial operation.

To raise screen surface, attach the crank handle to the "U" joint stud located on the left hand side of the screen. With the crank handle in its operating position, rotate in a clockwise direction. An internal pin within the roller will stop the screen when fully retracted. The crank handle can be removed if desired.

Removing Case Fascia

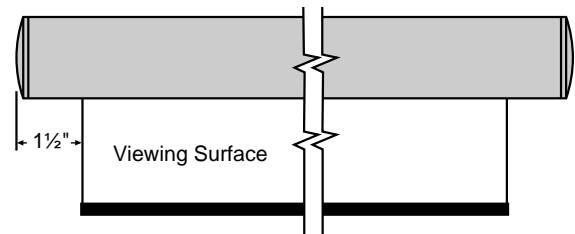
Case fascia is removable to access roller assembly. To remove fascia, depress outward the spring lip located inside lower front corner of screen case and pull lower corner of fascia outward. Repeat this at right end of case. Support fascia from center and rotate lower front edge upward approximately 40° to disengage the Roll-Lok hinge at the top front of screen case. Fascia can now be completely removed from case.

To install fascia, generally reverse instructions above making sure the Roll-Lok hinge is completely engaged before rotating fascia down towards the closed position. Depress spring clips outward, push lower corners of fascia inward until lips of spring clips hook behind fascia.

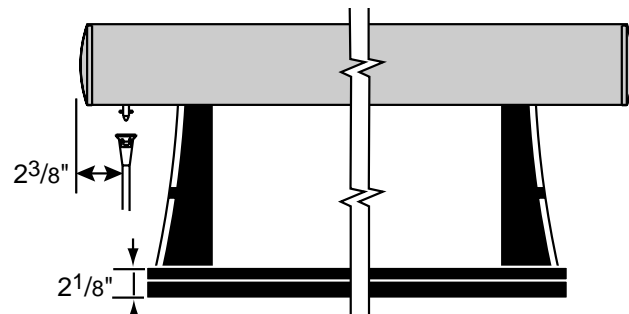


Case Dimensions

Silhouette/Series M



Silhouette/Series C



Tab-Tension Adjustment Procedure for Silhouette/Series C

- ① Determine which side requires adjustment.
- ② Secure dowel with one hand.

Caution: Do not touch or bend surface.

- ③ Using Philips-head screwdriver, depress spring-loaded adjustment screw (see drawing) and slowly turn clockwise to tighten tension, or counterclockwise to loosen tension. The screw adjusts in 1/4 turn increments. Adjust only **one increment** (1/4 turn).

- ④ If problem is not corrected, leave screen in position for 24 hours to allow surface material to stretch into position.

- ⑤ If problem still is not corrected, repeat steps ② and ③.

